

Resistance Temperature Detector R14 model D / DST

Mantel - RTD with sleeve , connection cable and optional plug connector

In general

The temperature sensors manufactured by Reckmann GmbH (R58®) are solely intended for the measurement of process temperatures in solid, liquid and gaseous media. This version with flexible sheath material allows to detect the temperature even in hard-to-reach places.

Application area:

pipeline construction and Behälterbau, chemicals industry, machine and plant engineering, Research / Development, energy production, industry of building materials, paper industry, Food and beverage industry, air conditioning technology

For installation please see our operating instructions.

Stock-number-code: 1R14-O or 1R14-P.

Technical datas

- **Measuring insert** (fig.1/5) similar DIN 43735 without base, with sleeve (fig. 1/4) and connection cable (fig. 1/2).
- **Sensor** depending on use:
thin film or ceramic according to IEC / EN 60751, in 1 x 3- , 1 x 4- , 2 x 3- or 2 x 4 - wire.
Recommended operating temperature on the measuring tip depended on accuracy class according to IEC / EN 60751
Operating temperature PT100
- 50°C up to + 500°C for thin film sensors,
- 200°C up to + 600°C for ceramic sensors,
- 200°C up to +450°C for galss sensors.
- **Sheath material** (fig. 1/5) according to IEC / EN 61515.
Standard material 1.4404,
Standard diameter 1; 1,5 ; 3 ; 6 or 8 mm.
- **Process connection** via sliding compression fitting, union nut or welded-on clamping fitting DIN 32676.
- **sleeve** (fig. 1/4) with or without Filler hole,
Standard material 1.4404
Standard dimension 4x30, 6x30, 6x50, 8x50, 9,5x55 mm.
optional with antikink spring (fig. 1/3).
- **Temperature range** of the connection cable (fig.1/2) static installed:
PVC isolated -20°C up to 80°C or silicone isolated -50 °C up to 180 °C, FEP isolated -100°C up to 205°C,
PTFE isolated -190°C up to 260°C, PFA isolated -190°C up to 250°C, glass silk isolated -50 °C bis 350 °C.
- **Temperature range** of the plug connector(fig.1/1):
Compensation plug connector(Typ B) -40 °C up to 200 °C, Lemo -40 °C up to 200 °C and -40 °C M12 up to 85 °C.
- **Optional:** also available as low-temperature sensor up to -196 °C on request.

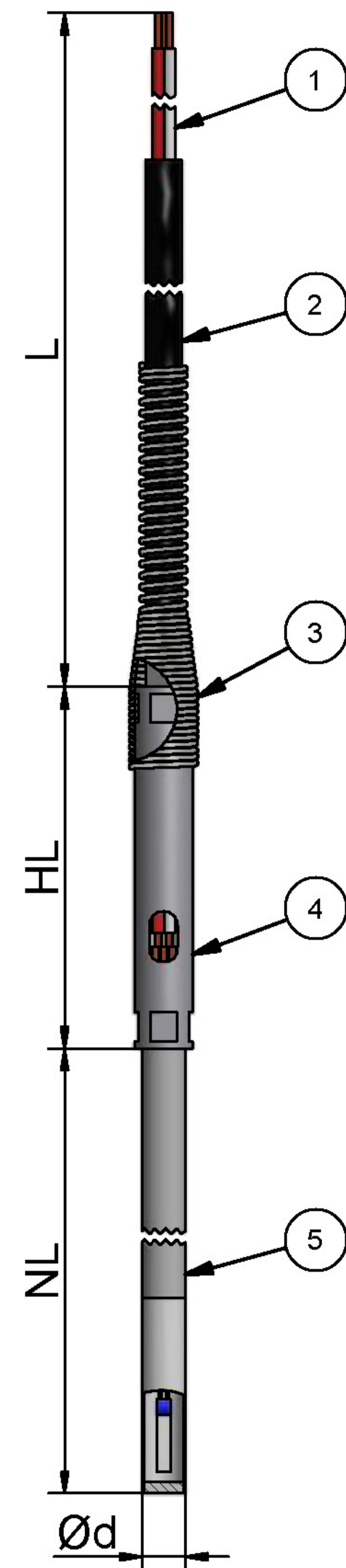
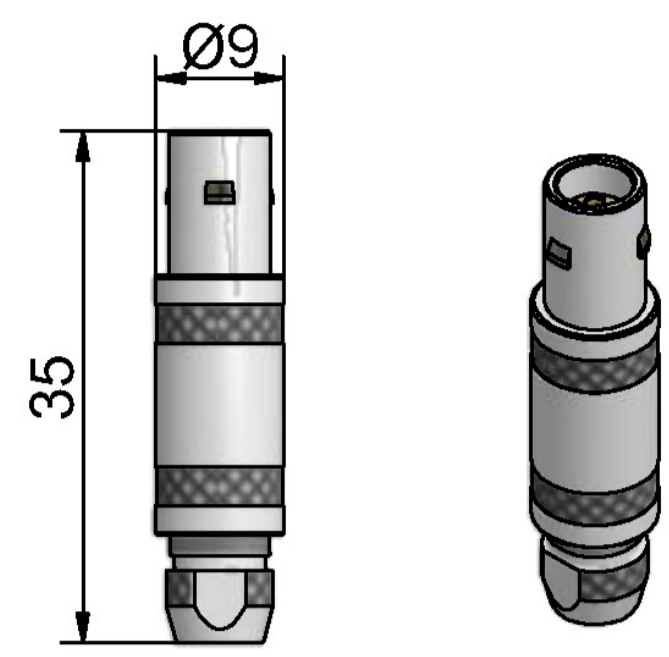


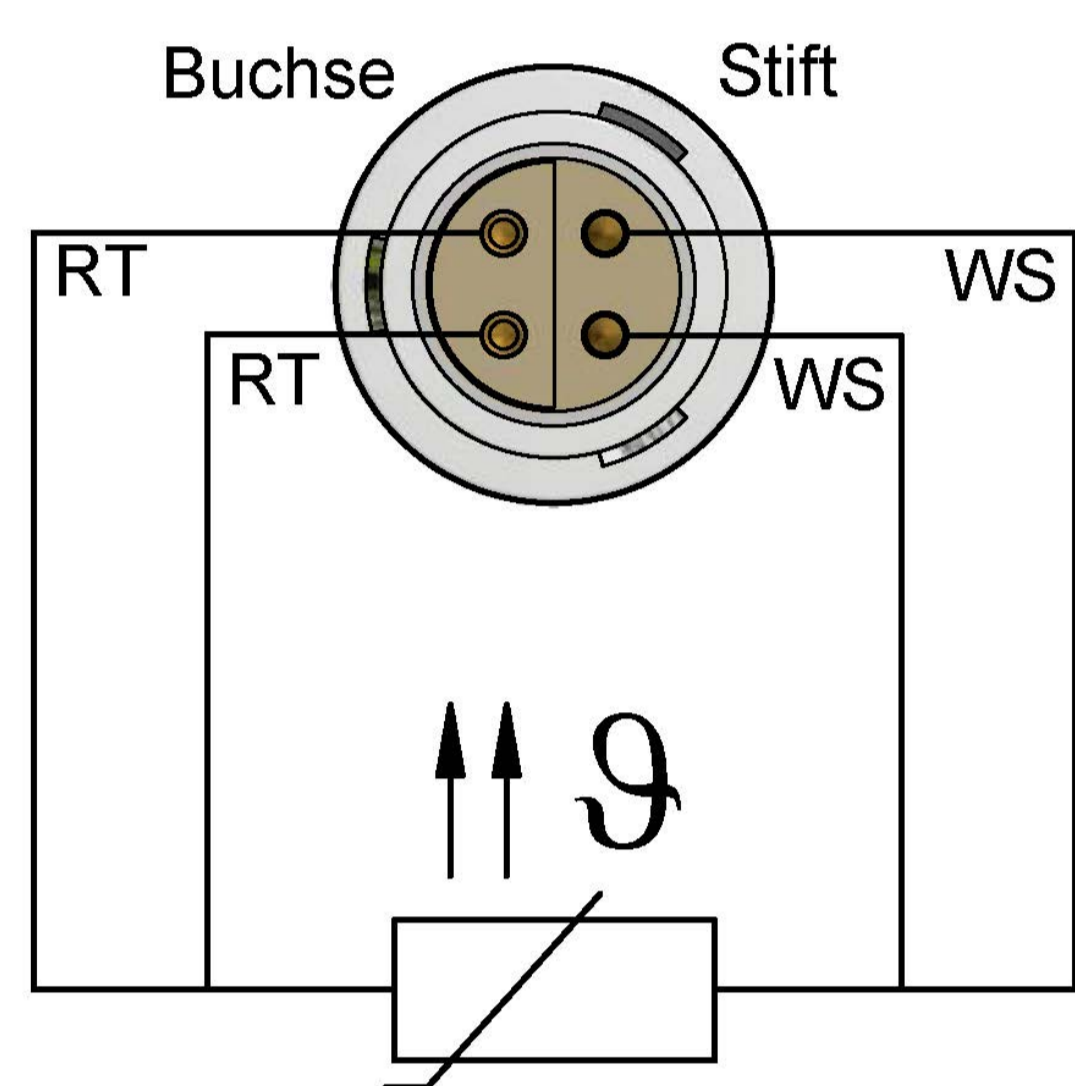
fig. 1

Optional plug connector / circuit diagram

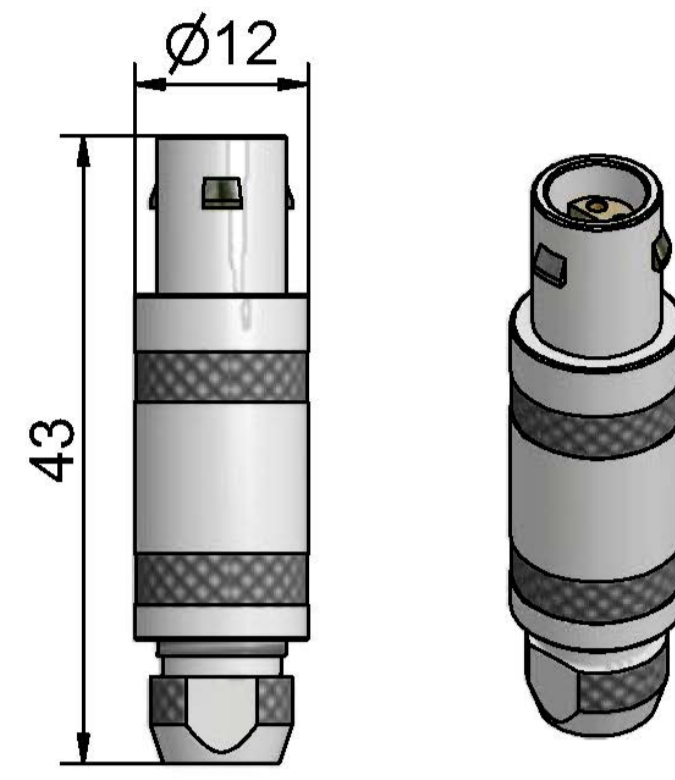
Examples of plug connectors with connection scheme



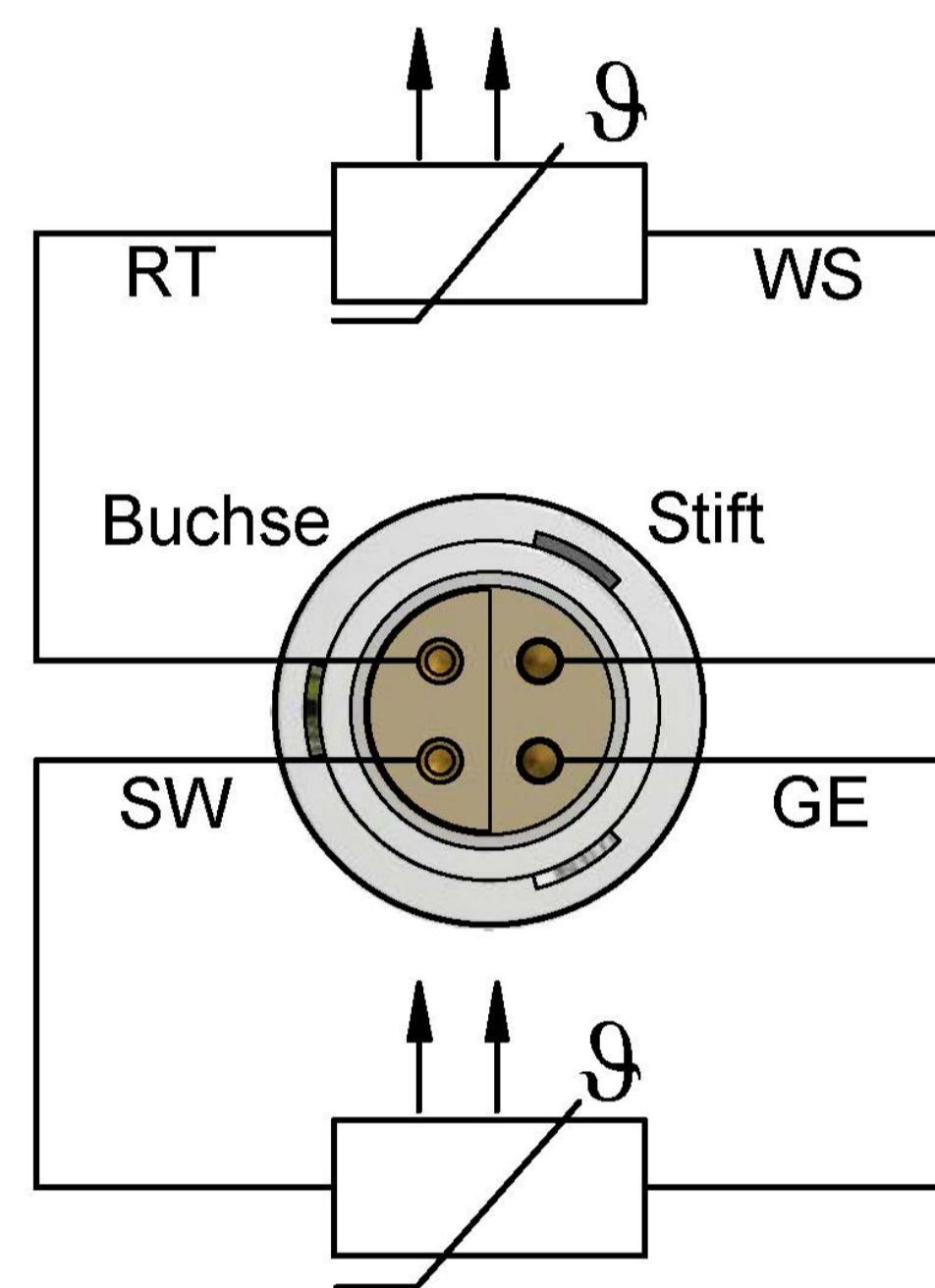
Lemo plug size 0



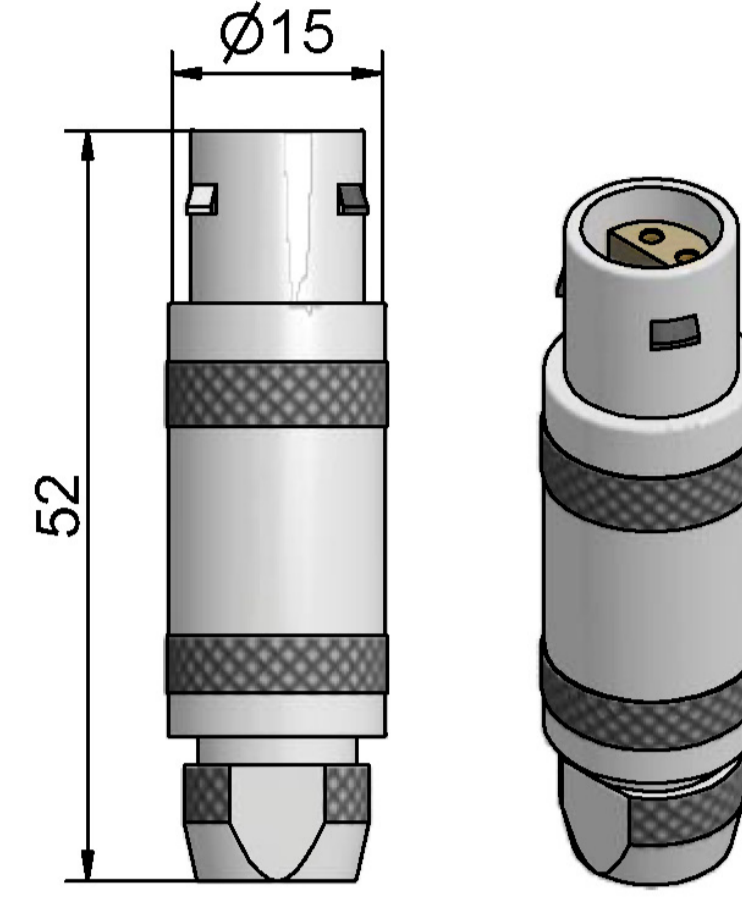
Lemo plug 1 x 4 wire front view



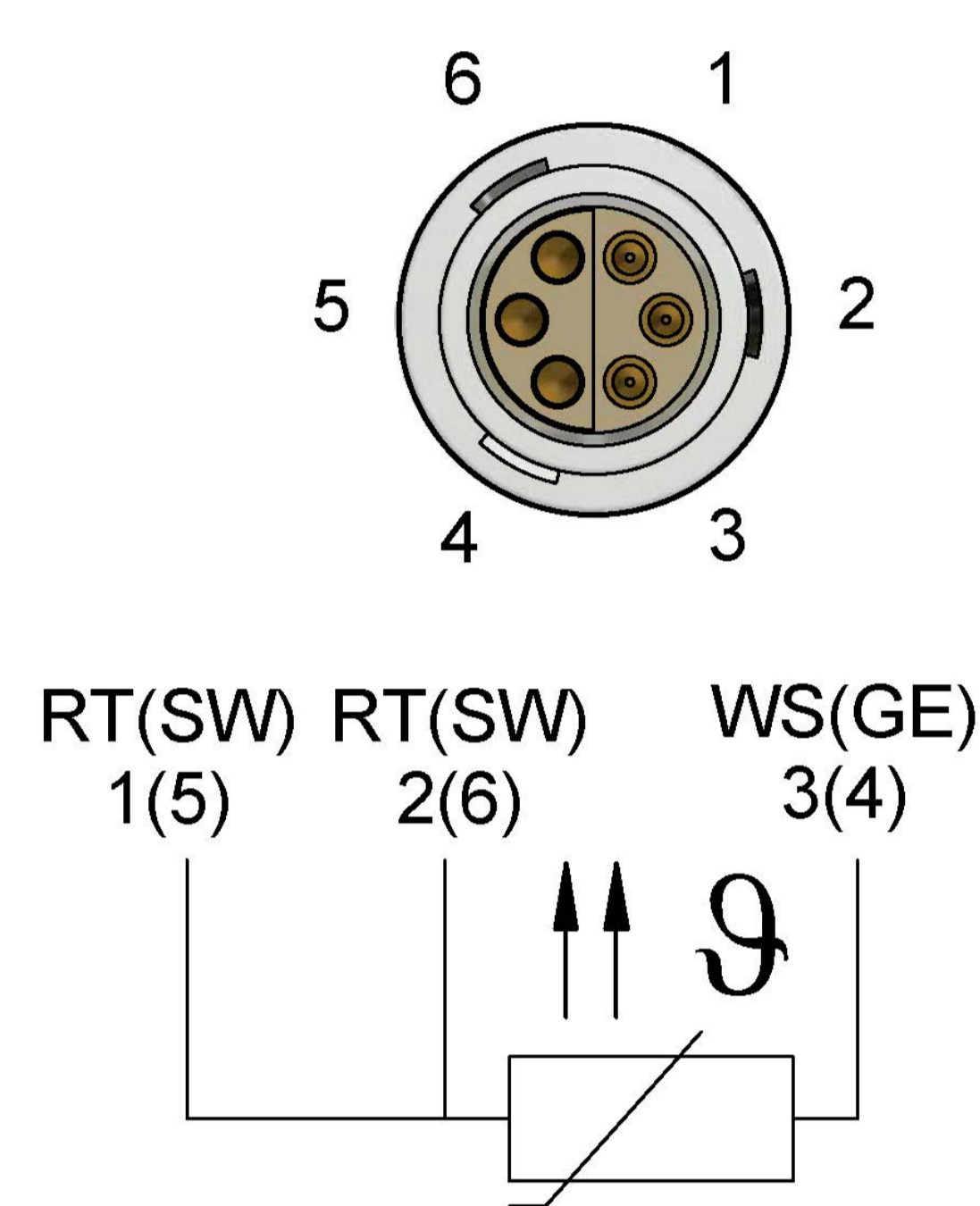
Lemo plug size 1



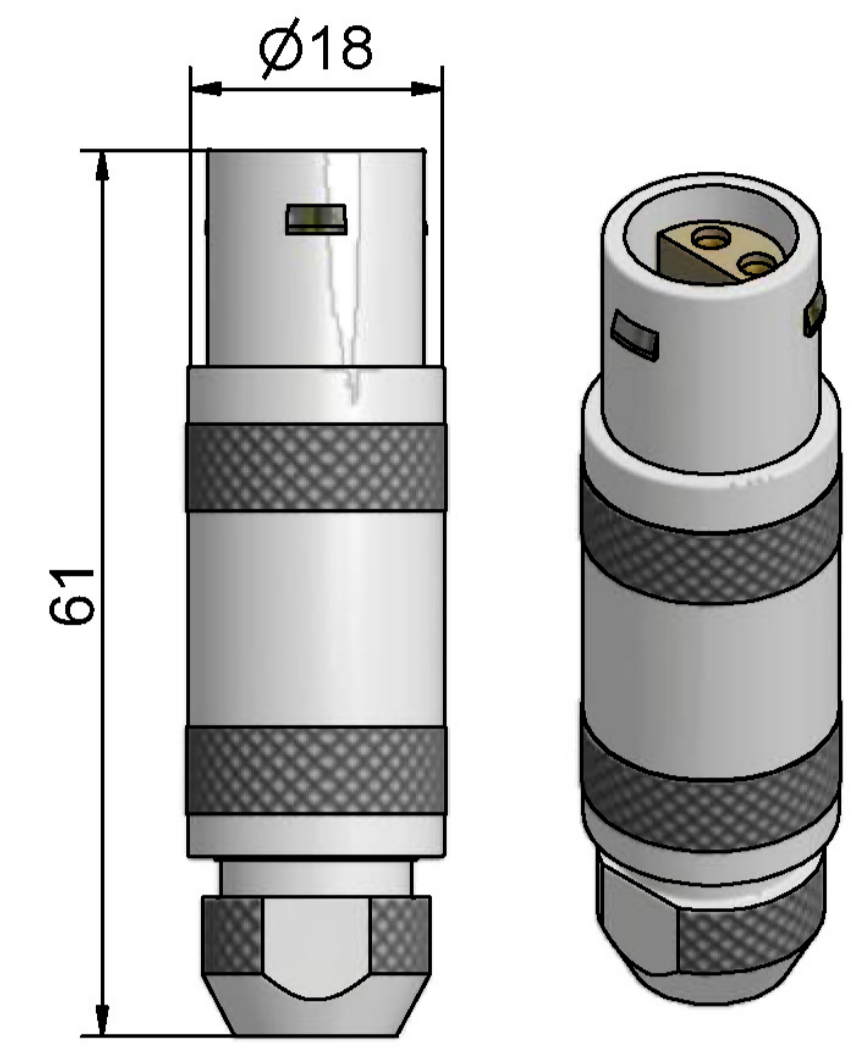
Lemo plug 2 x 2 wire front view



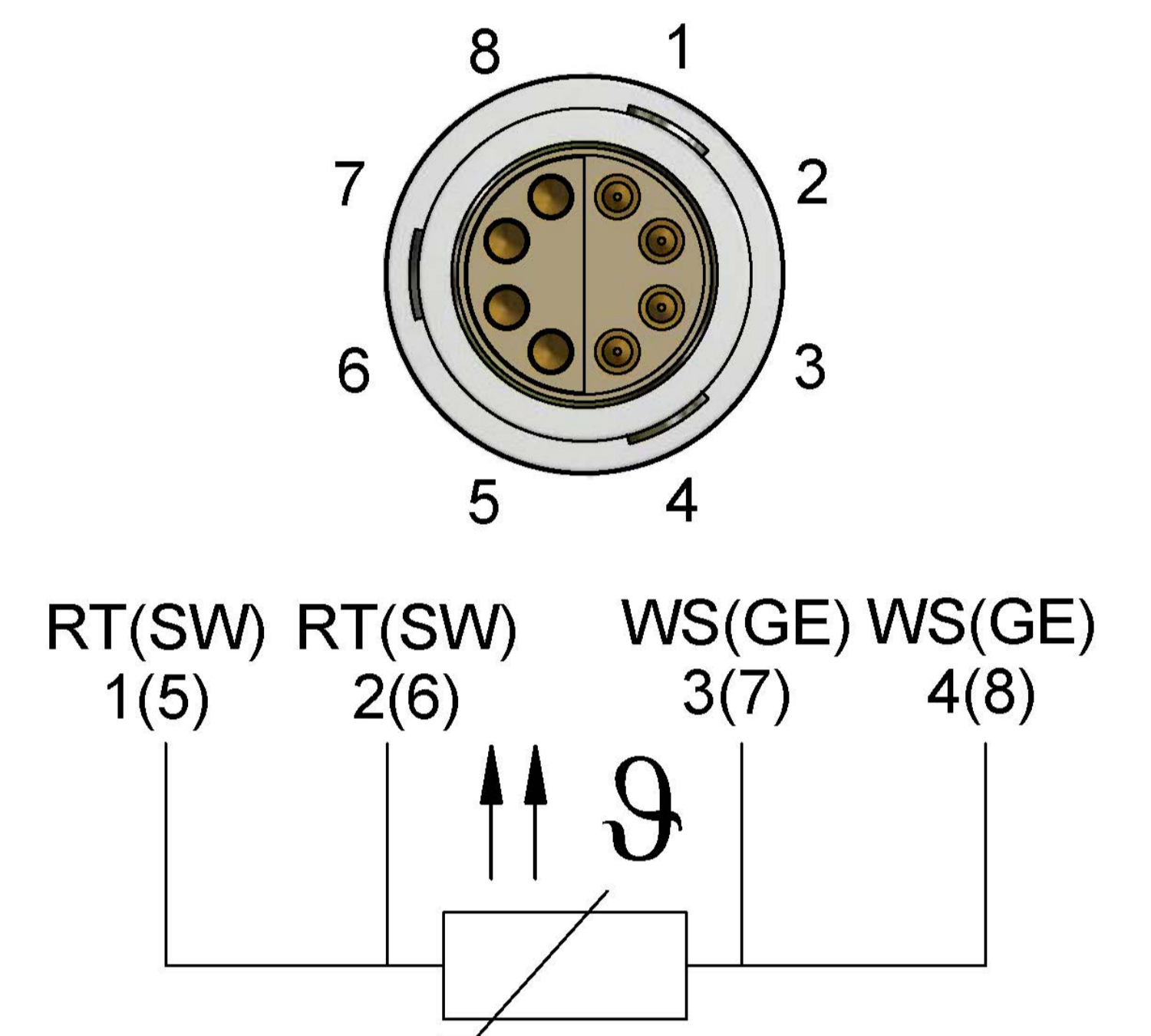
Lemo plug size 2



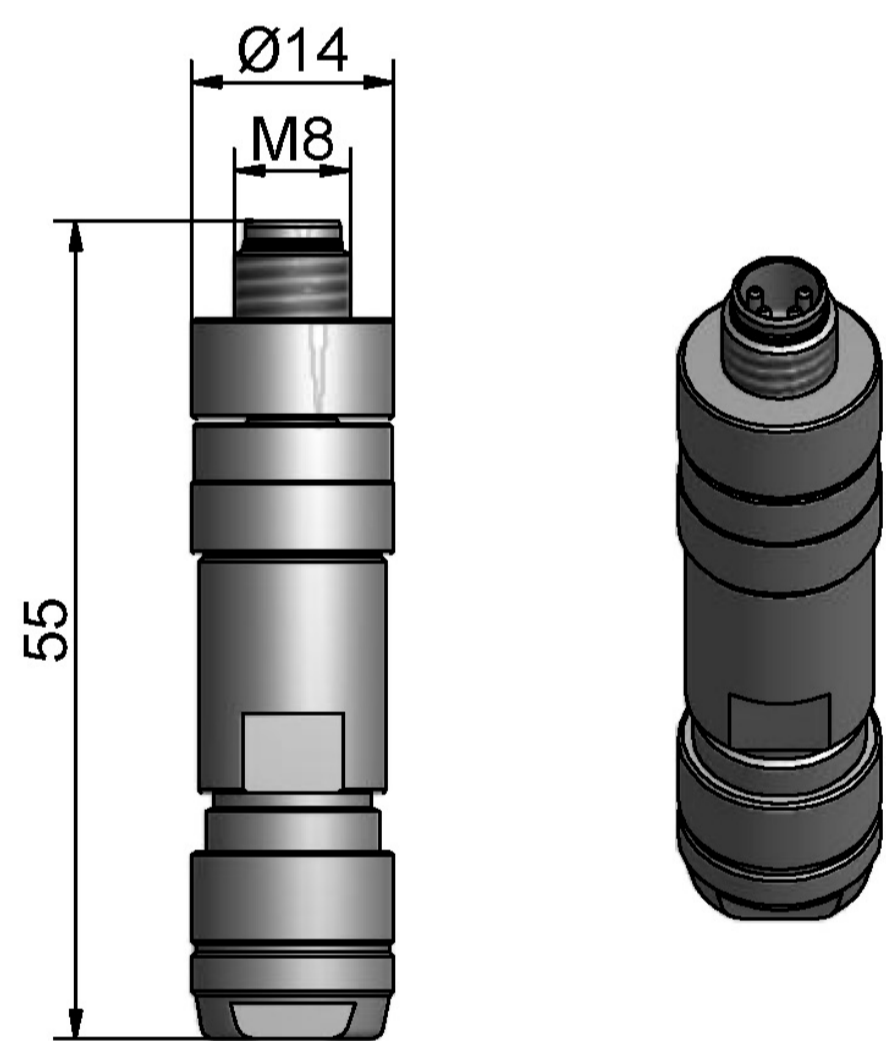
Lemo plug 2 x 3 wire front view



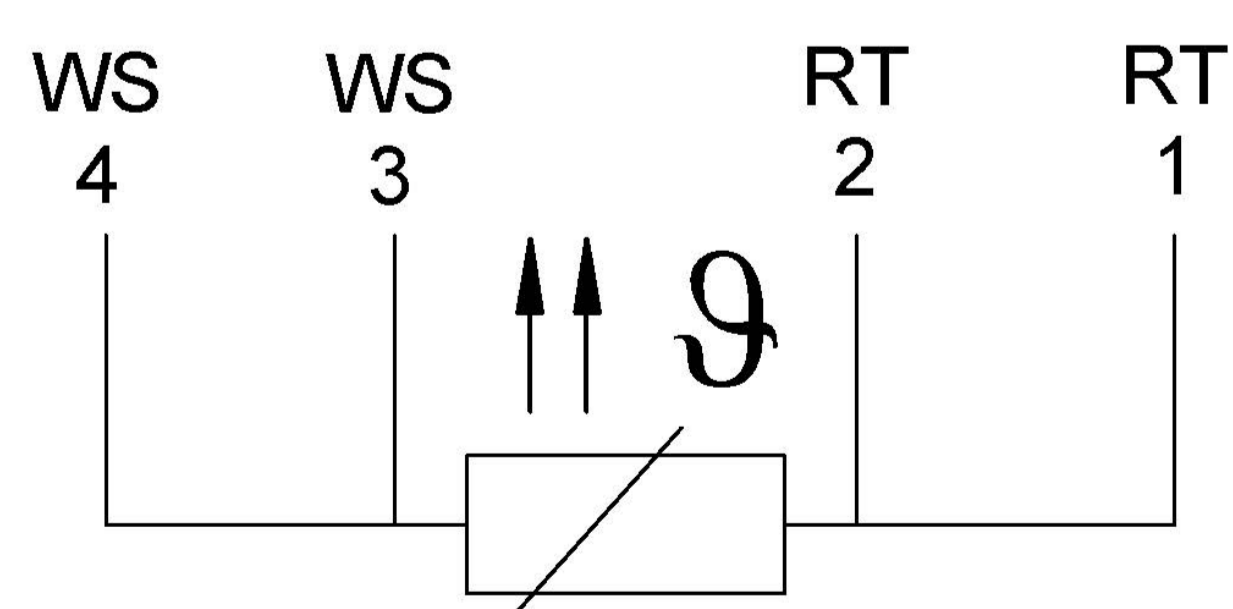
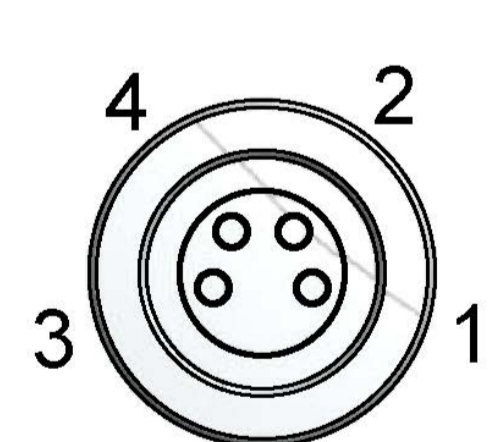
Lemo plug size 3



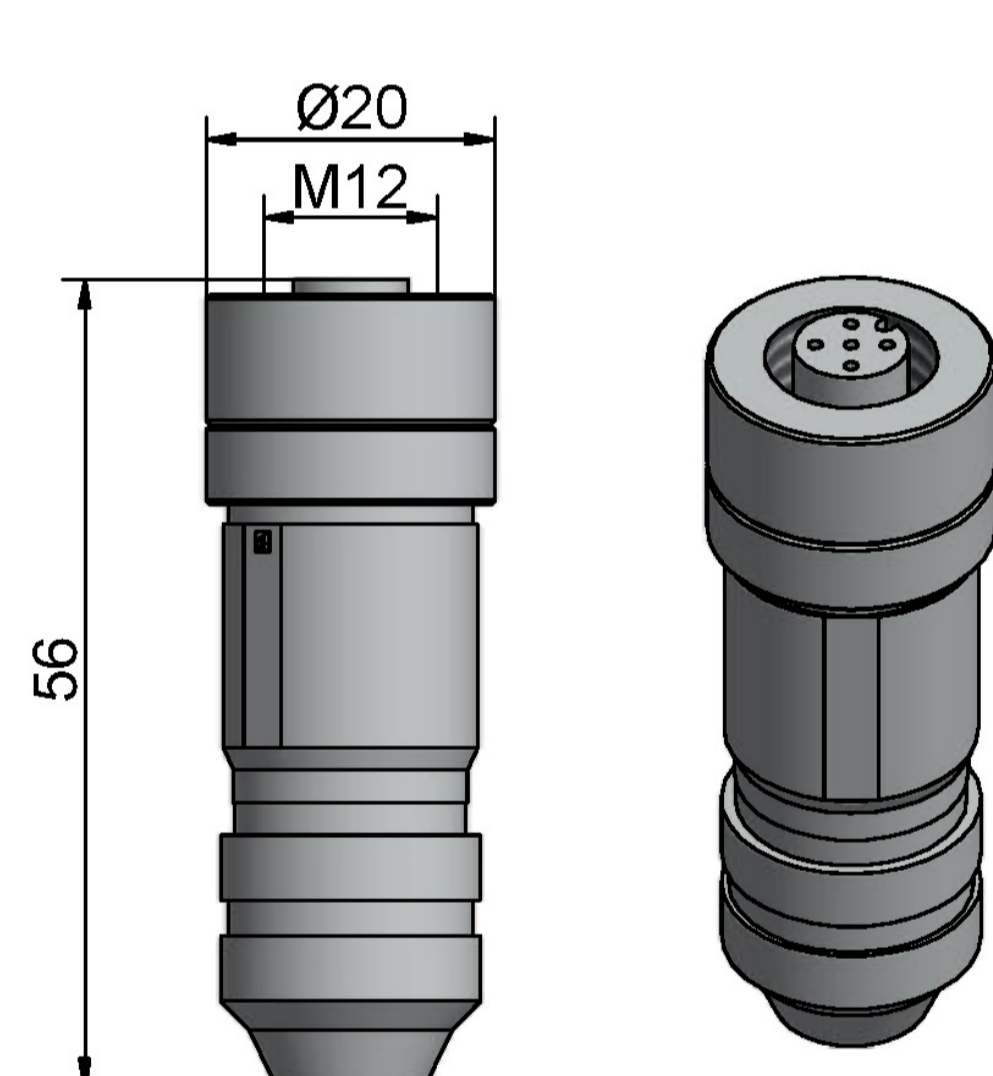
Lemo plug 2 x 4 wire front view



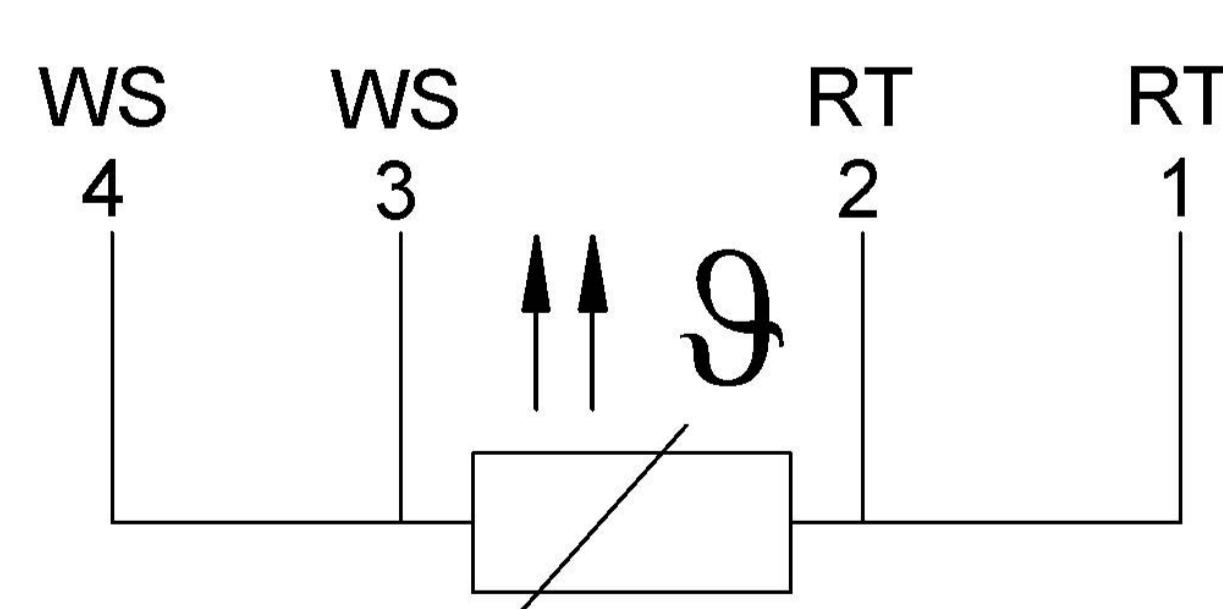
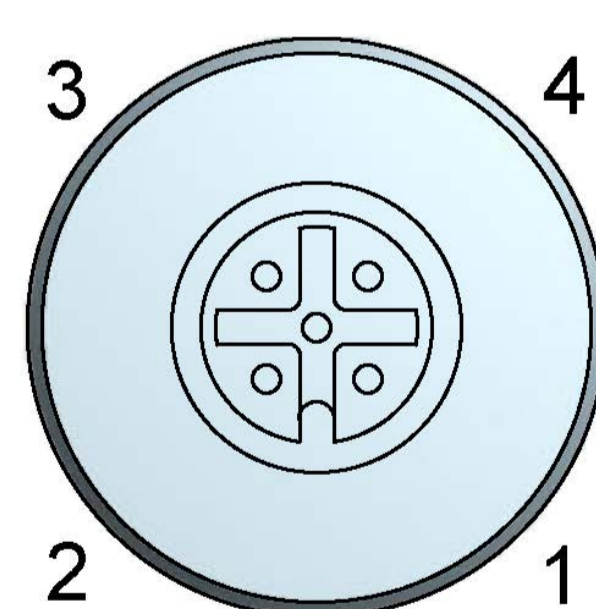
M8 socket 4 terminal screened



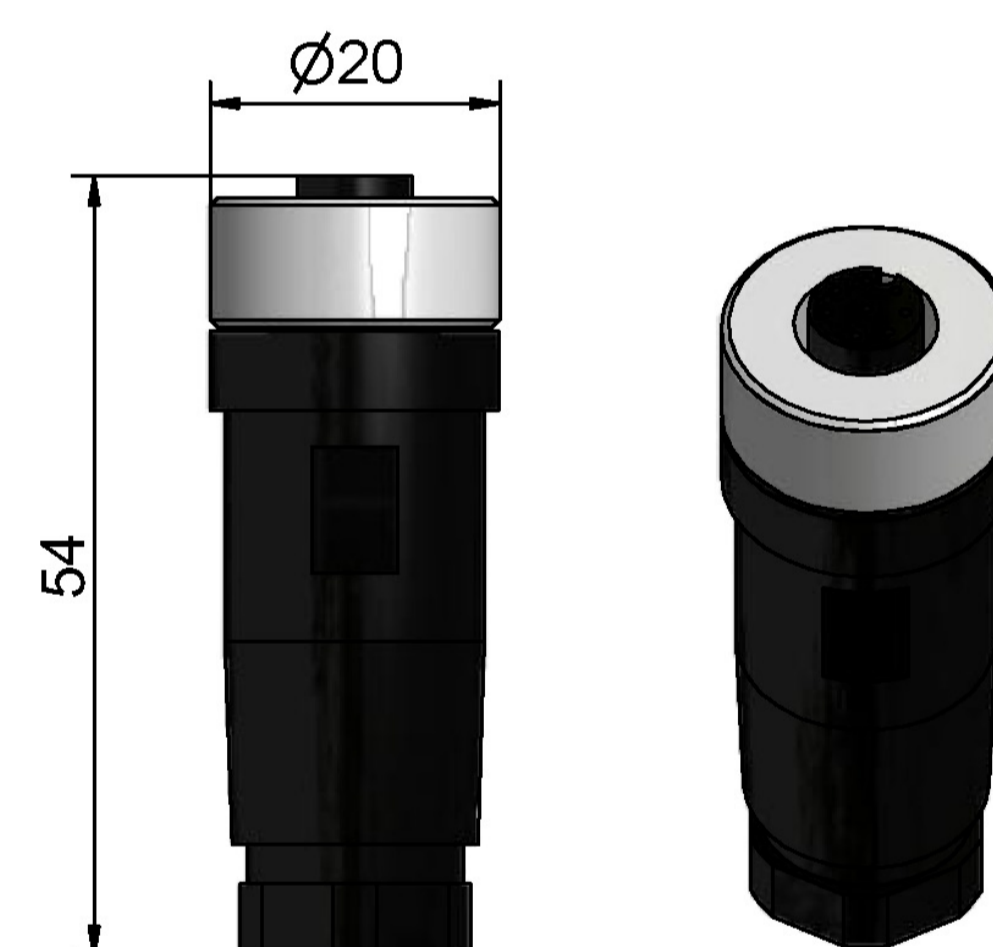
M8 socket 1 x 4 wire front view



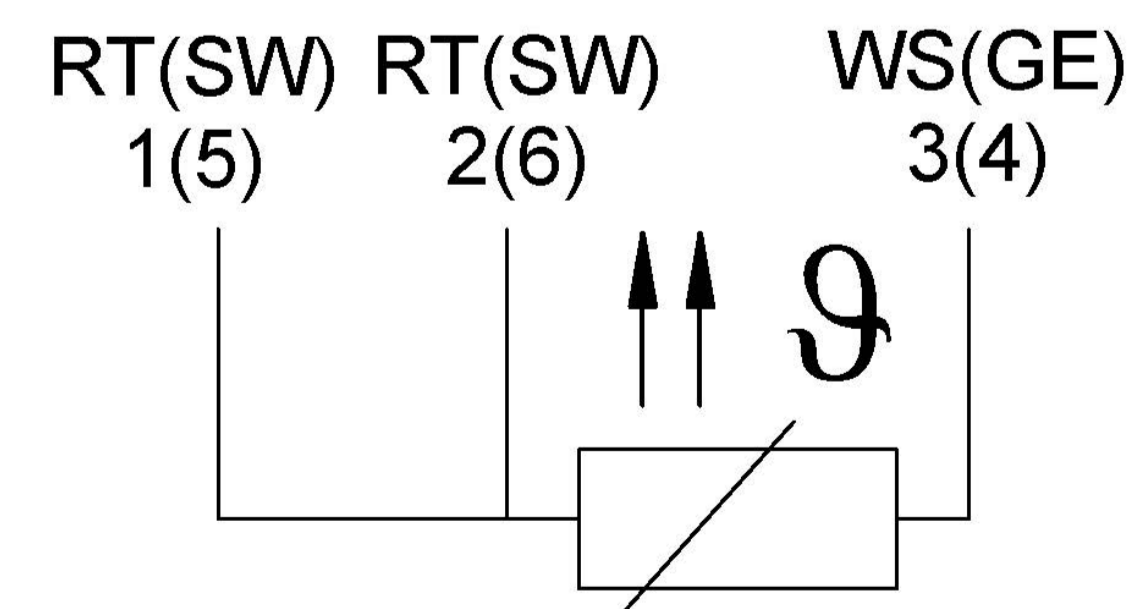
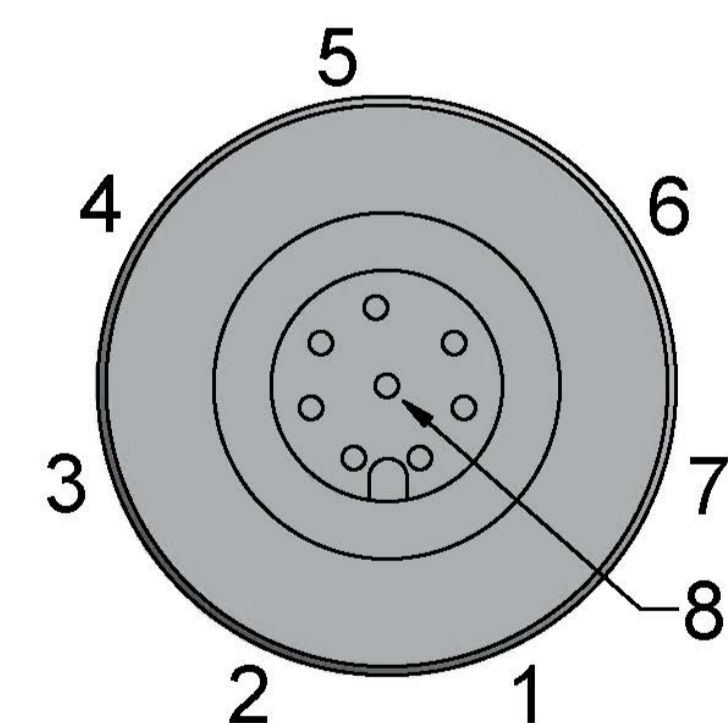
M12 socket 4 terminal screened



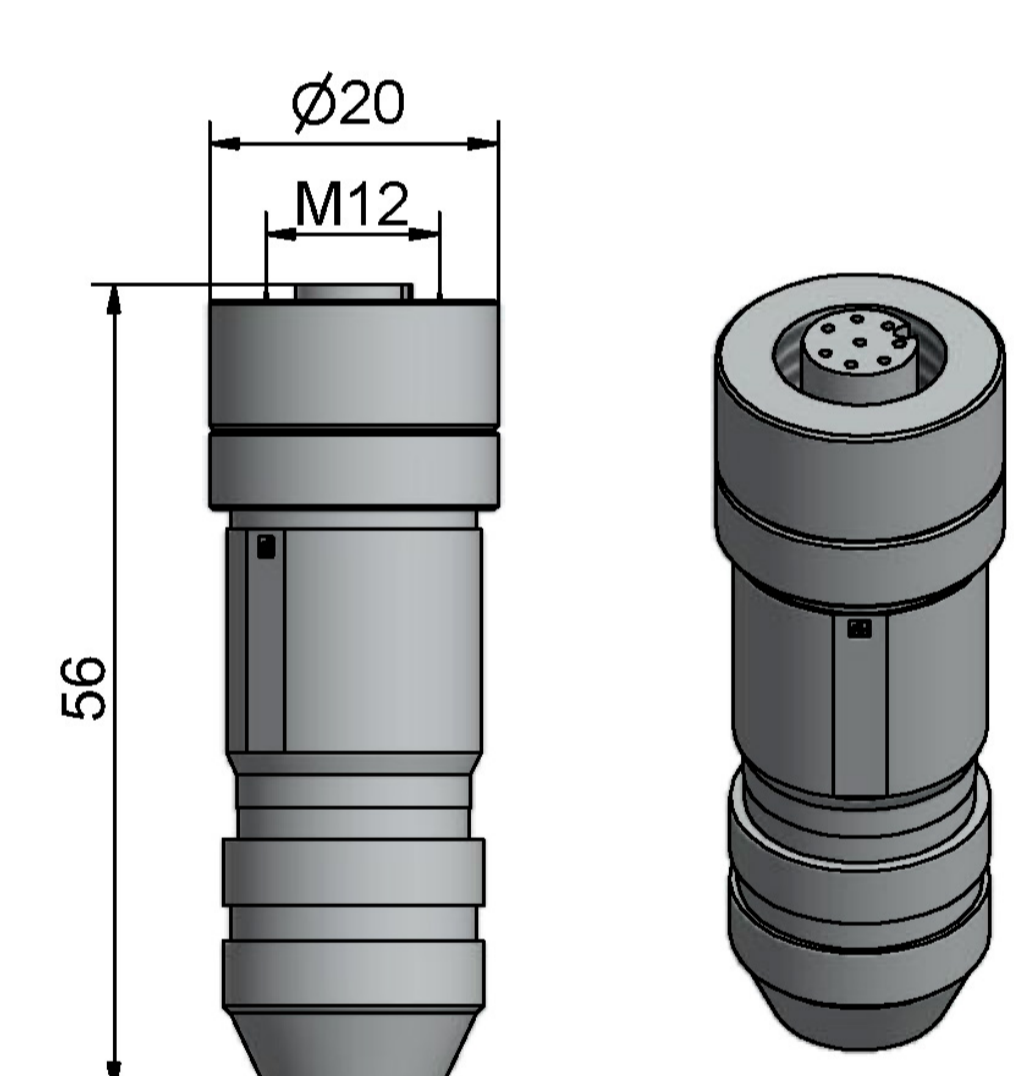
M12 socket 1 x 4 wire front view



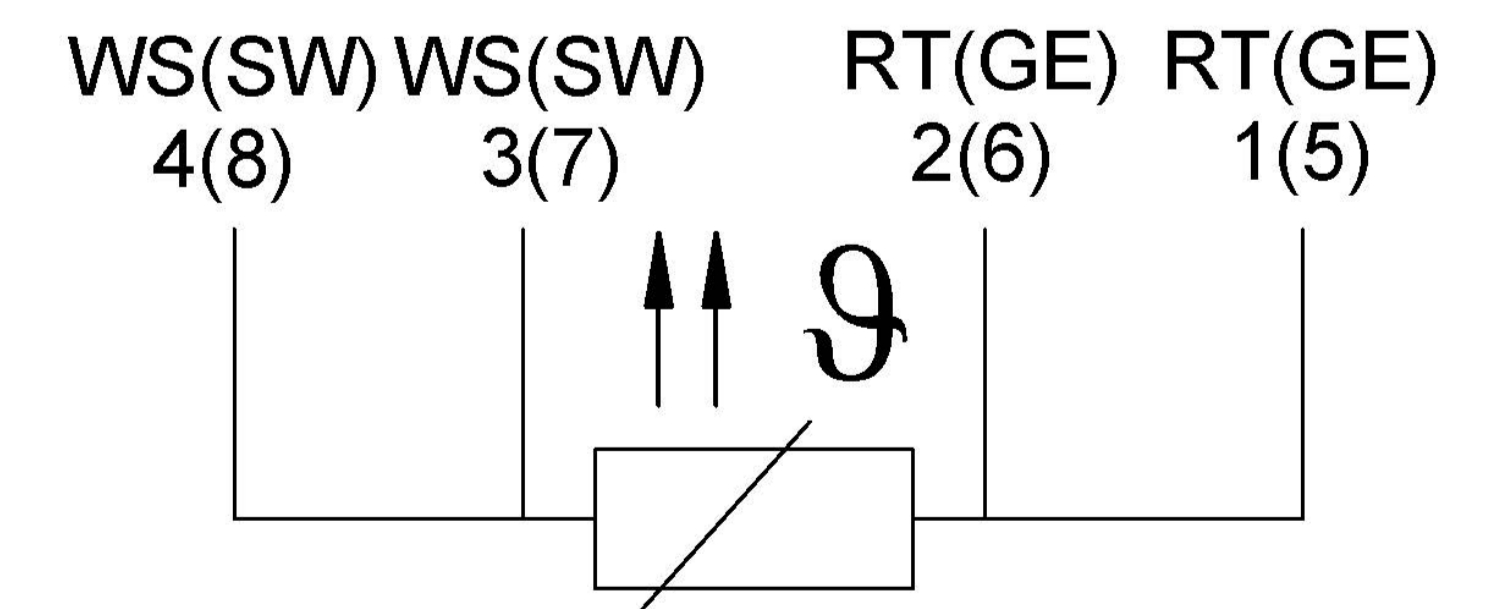
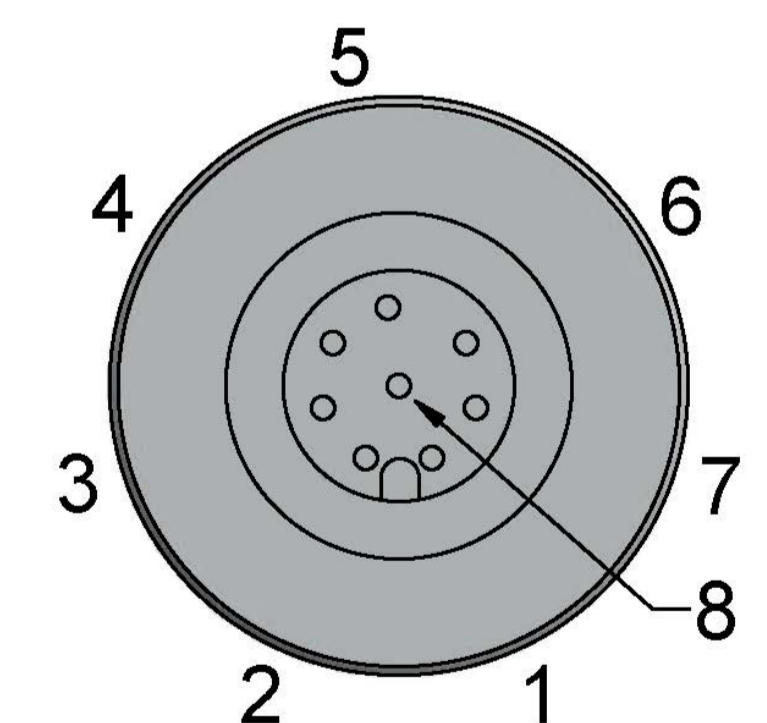
M12 socket 8 - terminal



M12 socket 2 x 3 wire front view A- code



M12 socket 8 terminal screened



M12 socket 2 x 4 wire front view A- code